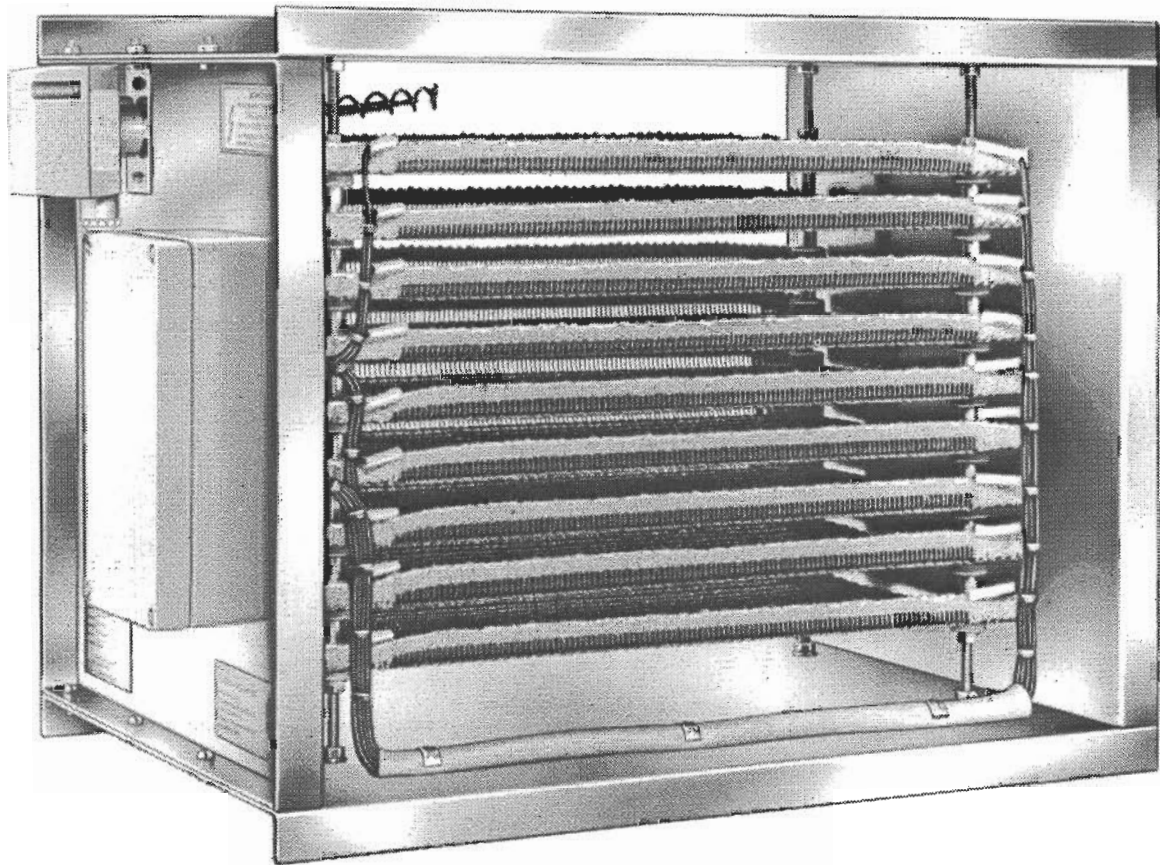




ENGELS - ELECTRIC AIR HEATERS
Engelcanal® Type E-HR 5
Units for Duct Connection



Technical Data:

Dimensions:	acc. to customer specifications (max. 2500 X 1800 mm, larger cross-sections with combination of several units)
Outputs: as specified	0.25 - 750 kW in one unit 900 - 2,700,000 kJ (215 - 645,000 kcal)
Operating voltage:	100 - 500 V (690 V on request) alternating or rotary current as specified
Switch groups:	depending on version up to max. 473 K (+200 °C)
Air outlet temperature:	approx. 1.0 - 10 m/s (depending on version), acc. to dim. at least 2 - 3 m/s
Air flow rate:	

Design:

The type E-HR 5 version is nearly identical with types L1 -L20 (see technical description, pp. 6 and 7); merely the size is determined according to your specifications.
The sheet metal thickness of the bolted aluminium duct is 1.5 - 3 mm according to unit size. Flange dimensions acc. to specifications.

For internal wiring, special silicon copper strands or Teflon/PTFE nickelled copper strands are used at higher temperatures or voltages above 500 V.

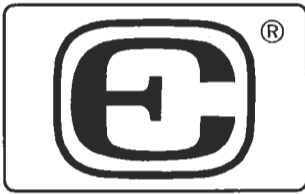
Accessories:

Engelcontrol® safety temperature limiter, Engelair® air flow monitor, Engeltherm® temperature regulation.

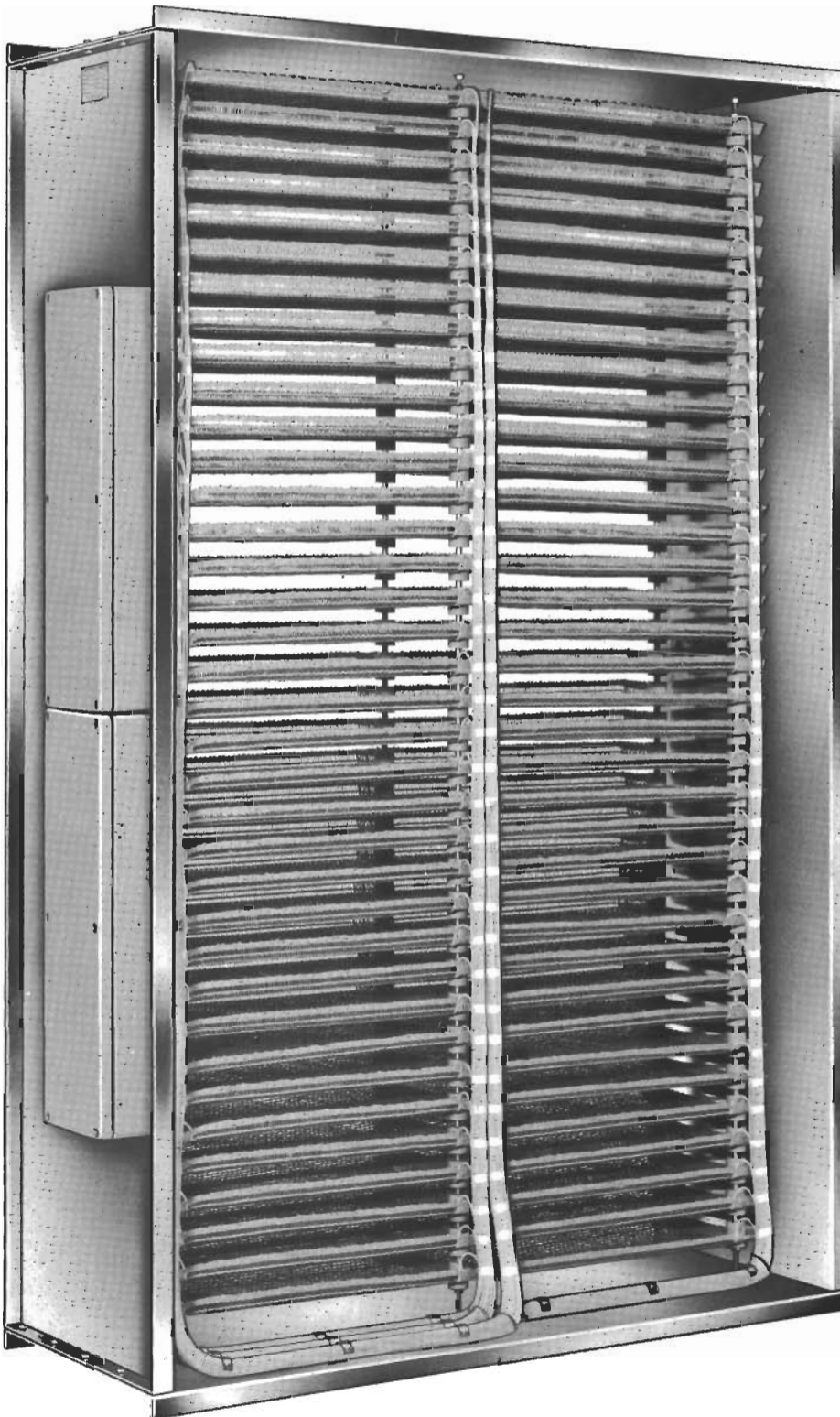
Note:

Engelcanal® heaters of type E-HR 5 are manufactured to dimensional specifications. By considering the dimensions, outputs, etc. you desire, an optimal solution can be found. Engelcanal® air heaters offer various advantages (see p. 7); always observe information bulletins no. S 20 and A - 1998. All units with genuine Engels heating grids®
Please use our dimensional sheets for inquiries or ordering.

Please always check whether the use of economical Engelnorm® units is instead possible.



ENGELS - ELECTRIC AIR HEATERS
Engelcanal® Type E-HR 5
Versions for Duct Connection

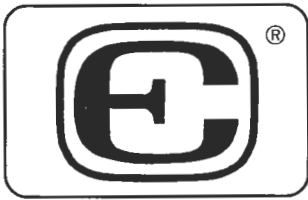


Technical Data:

Dimensions: width: 1400 mm, height: 1900 mm
depth: 450 mm
Output: 225 kW
Voltage: 400 V rotary current
Switch groups: 12 max.

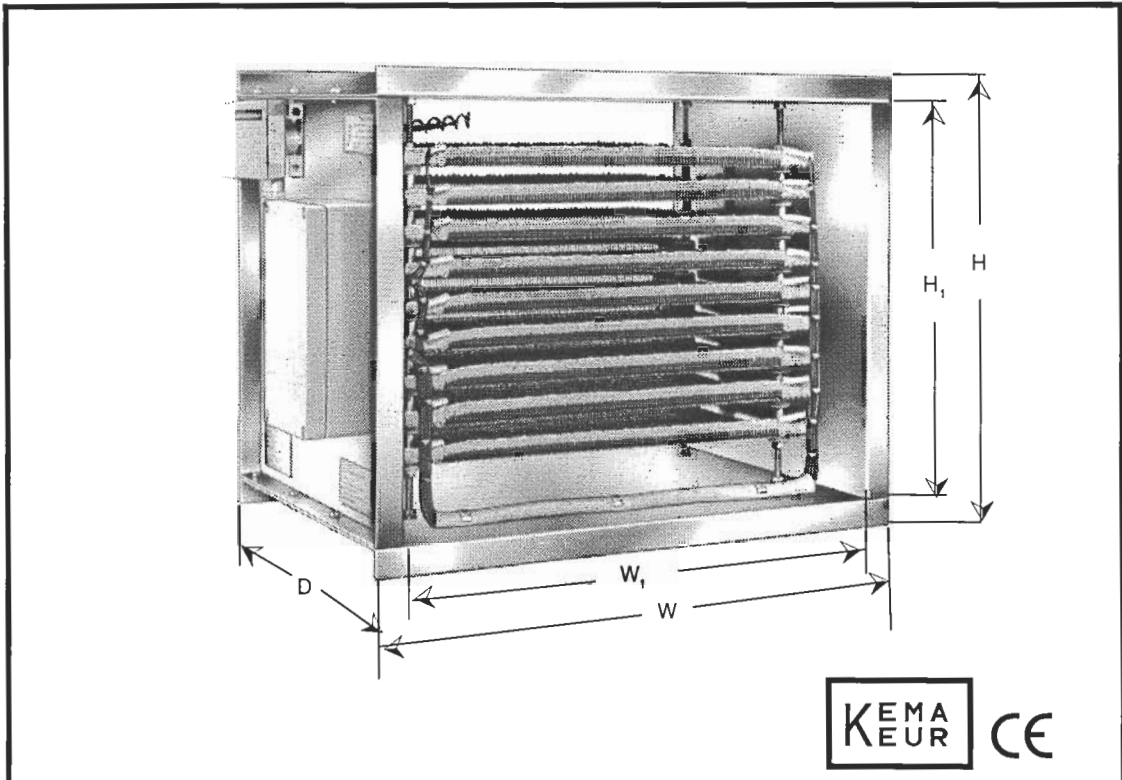
Note

Our many years of experience enables us to provide you with the right air heater for almost any application. We offer you the reliability of an experienced partner. Don't compromise - come directly to us. There's no substitute for quality



ENGELS - ELECTRIC AIR HEATERS

Engelcanal® Type E-HR 5 Dimensional Sheet



Dimensions	W	W ₁	H	H ₁	D	
mm						
Rated output	kW		Heat		kJ	
Voltage	V		Circuit			
Current type	Rotary current 50 - 60 Hz		Switch groups			
Air flow rate	m ³ / h		Air speed		m / s	
Air inlet temperature	K		Air outlet temperature		K	
Terminal box type			Duct		Aluminium	mm
Temp. monitor type			integrated		Engels-heating grids*	a.
Temp. monitor sw. type						
Inquiry	Order	Your sign - dept.		Dimensional sheet	Date	
No.	No.			No.		
Firm						
Type	Our sign	Application				
E-HR 5		for existing ducts				
KUNO ENGELS Vertriebs-GmbH			Hauptstraße 42 - D-42799 Leichlingen			